



## Powering with European Standard Turkish Excellence

Royal Power is TURKIYE's leading electrical transformer producing and wholesaling company supplying electrical material and products to Electricity of Turkiye (TEDAŞ), to electrical contractors and engineers.

Proudly Turkish, ROYALPOWER proud to blend European quality with Turkish craftsmanship, bringing you unparalleled service and products.

**Partner and international face of 4 companies with 20 years' experience in industry...**

Royal Power Head office is based in ANKARA, Our Transformer Factory Based in Şanlıurfa-Turkiye and Our Transformer Cover and Corrugated wall factory is based In Ankara-Turkiye...

Partner with us to power your future with confidence and precision.



## Our Expertise:

### 1. Transformer Manufacturing:

- Factory is Based in Şanlıurfa, we already supply Transformers for TEDAŞ local market, European Market such Greek, Bulgaria, Romania and in Asia Iraq and Afghanistan
- We design and manufacture high-quality transformers that ensure efficient and reliable power distribution. Our transformers are engineered to meet the specific needs of various industries, providing robust performance and longevity.
- We produce distribution and power transformers with powers between 25 KVA - 50 MVA, on the basis of the project given by the customer.
- Distribution transformers are single-phase or three-phase, oil-immersed with mineral, silicone or non-flammable oil, naturally cooled ONAN, forced-cooled ONAN/ONAF, with expansion tank open to the atmosphere, hermetic fully closed to the atmosphere, hermetic with gas cushion, with idle tap changer or under load tap changer, It is produced according to customer requests, specifications and specified standards, including cable boxes or hoods, porcelain insulators or epoxy resin insulators. Products are produced in accordance with TS 267, IEC 60076, BS 171 standards. Each transformer produced is

shipped after passing the routine tests stipulated in TS 267 and IEC 60076.

### TRANSFORMER PRODUCTION PICTURES





Standart Dizayn  
Standard Design

( + )

İsteğe Bağlı Fiyatlandırarak  
On request against surcharge

( X )

Uygulanmaz  
Not available

( - )

Koruma ve Gösterge Cihazları Protection and Monitoring Devices	PCS	Standart Açıklaması Standards Explanation	25	40	50	63	80	100	125	160	200	250	315	400	500	630	800	1000	1250	1600	2000	2500
AG Buşingler / LV Bushings	4	DIN 42530	+	+	+	+	+	+	+	+	+	+	+	+	+	+	+	+	+	+	+	+
YG Buşingler ve ektatörleri HV Bushings and arching horns	3	DIN 42531	+	+	+	+	+	+	+	+	+	+	+	+	+	+	+	+	+	+	+	+
Plug-in Buşing / Plug-in Bushings	3		X	X	X	X	X	X	X	X	X	X	X	X	X	X	X	X	X	X	X	X
Boşta Kademe Değiştiricisi Off Load Tap Changer																						
YG – 5 Pozisyonlu / HV-5 Positions	1		+	+	+	+	+	+	+	+	+	+	+	+	+	+	+	+	+	+	+	+
YG 3-11 Pozisyonlu / HV-3-11 Positions			X	X	X	X	X	X	X	X	X	X	X	X	X	X	X	X	X	X	X	X
Yük altında Kademe Değiştiricisi On Load Tap Changer	1		X	X	X	X	X	X	X	X	X	X	X	X	X	X	X	X	X	X	X	X
Buchholz Rölesi / Buchholz Relay	1	Hermetik Hariç Except Hermetic	X	X	X	X	X	X	X	X	X	X	X	X	+	+	+	+	+	+	+	+
Termometre Cebi / Thermometer Pocket	1		+	+	+	+	+	+	+	+	+	+	+	+	+	+	+	+	+	+	+	+
Alkollü Termometre / Alcohol Thermometer	1		+	+	+	+	+	+	+	+	+	+	+	+	X	X	X	X	X	X	X	X
Kontaktlı Yağ Sıcaklığı Termometresi Oil Thermometer with Contacts	1		X	X	X	X	X	X	X	X	X	X	X	+	+	+	+	+	+	+	+	+
Basınç giderme valfi / Pressure Relief Valve	1	Hermetik Dizayn Hermetic Design	+	+	+	+	+	+	+	+	+	+	+	+	+	X	X	X	X	X	X	X
Hermetik koruma rölesi (DGPT2) Hermetic Protect Relay (DGPT2)	1	Hermetic Design	-	-	-	-	-	-	-	-	-	-	-	+	+	+	+	+	+	+	+	+
Yağ seviye göstergesi – Kontaklı Oil Level Indicator-No Contact	1		+	+	+	+	+	+	+	+	+	+	+	+	+	+	+	+	+	+	+	+
Yağ seviye göstergesi – Kontaklı Oil Level Indicator-With Conta	1		X	X	X	X	X	X	X	X	X	X	X	X	X	X	X	X	X	X	X	X
Nem alıcı / Dehydrating Breather		Hermetik Hariç Except Hermetic	X	X	X	X	X	X	X	X	X	X	X	+	+	+	+	+	+	+	+	+
Yağ Boşaltma Vanası / Oil Drain Valve	1	DIN 42551-A22	+	+	+	+	+	+	+	+	+	+	+	+	+	+	-	-	-	-	-	-
Yağ Boşaltma Vanası / Oil Drain Valve		DIN 42551-A31	-	-	-	-	-	-	-	-	-	-	-	-	-	-	+	+	+	+	-	-
Yağ Boşaltma Vanası / Oil Drain Valve	4	DIN 42551-A40	-	-	-	-	-	-	-	-	-	-	-	-	-	-	-	-	-	-	+	+
Tekerlekler / Reversible Wheels	2		X	X	X	X	X	X	X	X	X	X	+	+	+	+	+	+	+	+	+	+
Kaldırma kulakları / Lifting Lugs	1		+	+	+	+	+	+	+	+	+	+	+	+	+	+	+	+	+	+	+	+
Yağ doldurma ağız / Oil Filling Nippel	2		+	+	+	+	+	+	+	+	+	+	+	+	+	+	+	+	+	+	+	+
Topraklama Terminaleri / Earthing Terminals	1		+	+	+	+	+	+	+	+	+	+	+	+	+	+	+	+	+	+	+	+
İşaret Plakası / Rating Plate	1		+	+	+	+	+	+	+	+	+	+	+	+	+	+	+	+	+	+	+	+
Radyatörlü Kazan / Tank with Radiators	1		X	X	X	X	X	X	X	X	X	X	X	X	X	X	X	X	X	X	X	X
Dalga Davan Kazan / Corrugated Tank			+	+	+	+	+	+	+	+	+	+	+	+	+	+	+	+	+	+	+	+
Terminal Kutusu / Terminal Box			X	X	X	X	X	X	X	X	X	X	X	X	+	+	+	+	+	+	+	+
AG – YG Kablo Kutuları LV-HV Cable Boxes			X	X	X	X	X	X	X	X	X	X	X	X	X	X	X	X	X	X	X	X
Galvaniz – Sıcak Daldırma / Hot Dip Galvanizing			X	X	X	X	X	X	X	X	X	X	X	X	X	X	X	X	X	X	X	X

## 2. Transformer Boilers and Corrugated Walls Manufacturing:

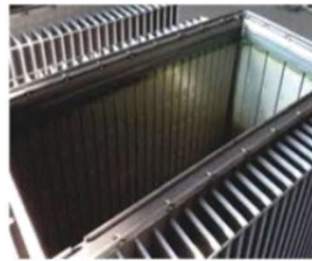
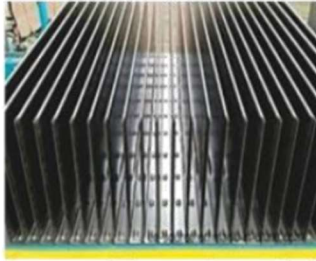
- Our factory is in the capital and we sell the majority of our products to customers in Europe, such as Belgium, Italy and Spain....
- 12,000-square-meter facility is equipped with advanced technology, allowing us to maintain a robust monthly production capacity of 400 tons of transformer tanks(boilers) and 300 tons of corrugated walls. This capacity, coupled with our certified welders, team's expertise, ensures that we consistently meet and exceed the highest industry standards.
- Our production facility is equipped to produce transformer tanks with corrugated walls, enhancing the cooling efficiency and structural integrity of the transformers. These tanks are designed to withstand demanding operational conditions.



SPOT WELDING



CONSERVATOR OF TRANSFORMERS

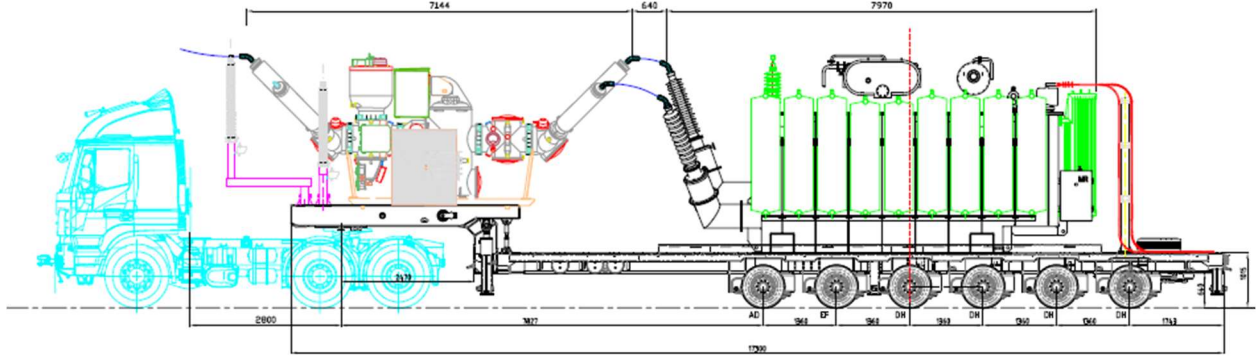


CABLE BOXES



### 3. Electrical Project Engineering consultancy & equipment sales:

- Our team of expert engineers offers comprehensive project engineering services. From initial consultation and design to implementation and maintenance, we provide end-to-end solutions that ensure the success of your electrical projects.
- As advocates of renewable energy, we supply a wide range of solar electric high voltage equipment. Our products are designed to optimize solar power generation and ensure seamless integration with existing electrical systems.



**We are waiting for your valuable orders and wish you good work...**